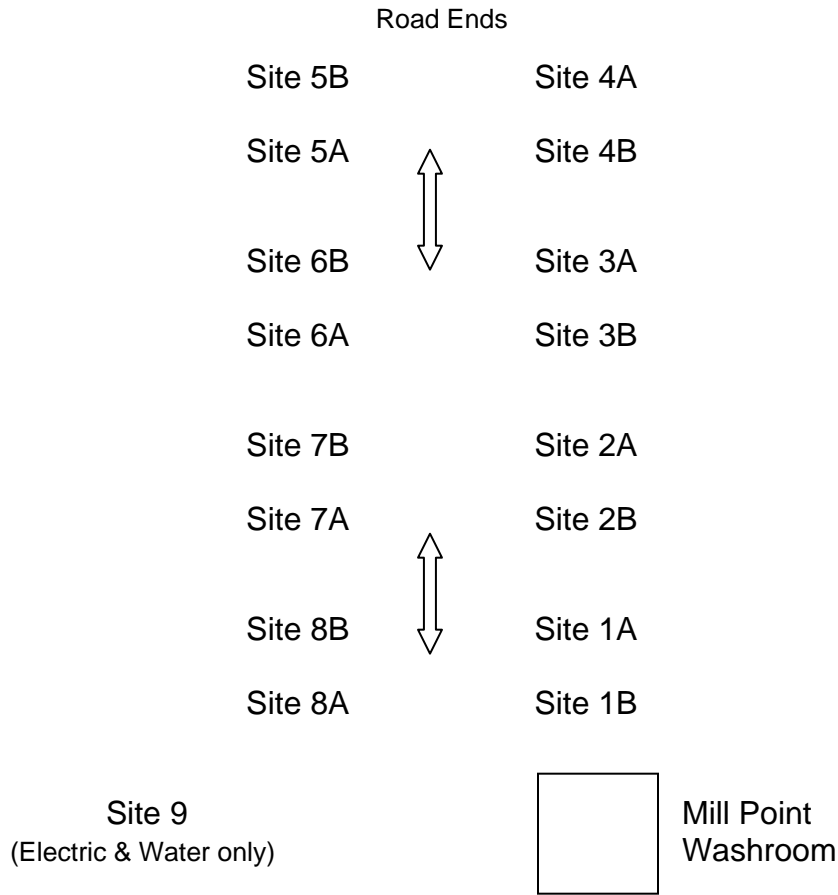


Mill Point Campground

Sites 1A/B – 9 (Electric, Water, Septic)



Cottonwood Campground

Sites #1-8 (Electric & Water)

